

# AREN



# AREN

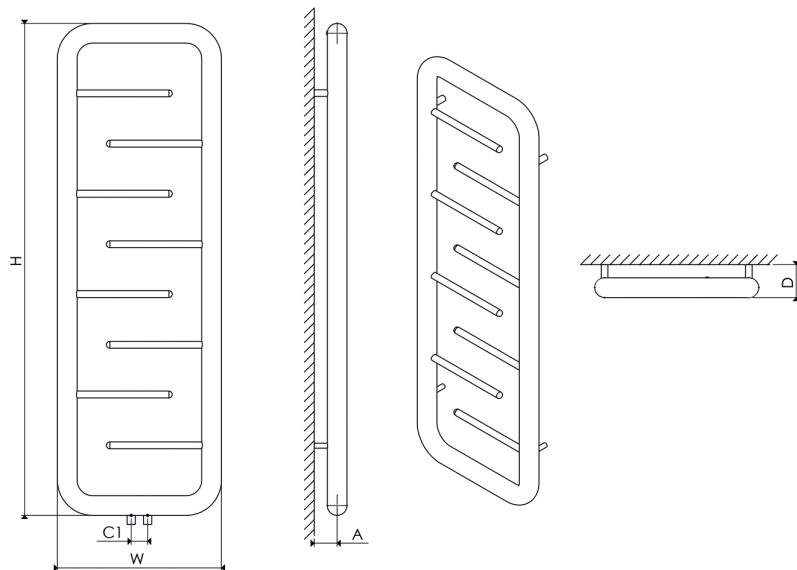
Material	Stock Finishes	Guarantee	Installation
Stainless Steel	<a href="#">PLS SEE COLOUR KEY CHART - Click for Link</a>	20 Years	Vertical

PRODUCT CODE	Height (mm)	Width (mm)	Sections	Pipe Centers (mm)	Wall to pipe Centers	Wall Distance	Nett Weight	Water Content	Fuel Type	Heat Outputs	
	H	W	n	C1	A (mm)	D (mm)	(kg)	(lt)		Watts	BTU
ARE 0500090004	900	500	4	50	80-95	110-125	7.5	6.4	C	469	1599
ARE 0500120006	1200	500	6	50	80-95	110-125	9.0	7.9	C	631	2152
ARE 0500150008	1500	500	8	50	80-95	110-125	10.5	9.6	C	777	2651

Please add finishing code at the end of the product code

Code example : ARE 0500090004 STP

Fuel type i.e C: Central Heating  
E: Electrical Heating  
D: Dual Heating (C+E)



A full range of made to order sizes available.

Please ask for details.

n = number of sections

Max. working pressure

10 bar

Max. working temperature

95 °C

Connections

1/2"

Pipe centers

C1

50mm